

 ICOM

IC-M220

VHF MARINE TRANSCEIVER

*High Quality, Excellent Performance*

MADE IN  
JAPAN



IC-M220

**Compact Body**

(W x H x D; 156.5 x 66.5 x 110.1 mm; 6.2 x 2.6 x 4.3 in)

**Easy Installation in Limited Space**

**Powerful Front Mount Speaker  
Delivers Loud and Clear Audio**

**Built-in Class D DSC with a CH70  
Dedicated Receiver**

**Intuitive Operation with  
Icom's Marine User Interface**

**Easy-to-Read Full Dot-Matrix Display**

**HM-237B Detachable  
Hand Microphone Supplied**

**IPX7 Submersible Construction  
(1 m depth of water for 30 minutes)**

**AquaQuake™ Prevents Audio Degradation  
from a Water-Logged Speaker**

**Made in Japan Quality and Reliability**

**And more**

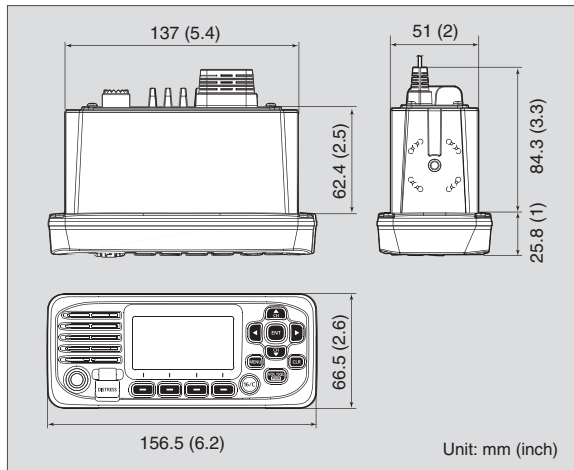
- Common NMEA interface for external GPS/NAV connection
- MA-500TR Class B AIS transponder compatible
- Tag scan and favorite channel functions
- Dual/tri-watch function for monitoring CH16 and/or call channel
- Priority scan function
- Display and keypad backlighting
- External speaker connection
- Weather channel with weather alert

**OPTIONS**

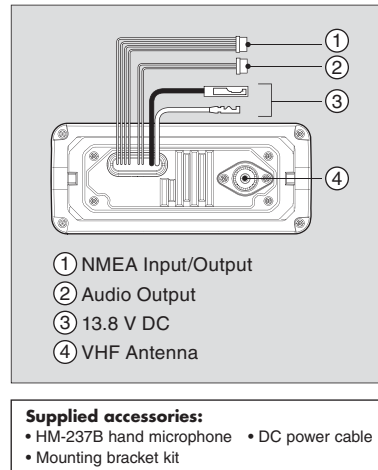


**HM-237B**  
HAND MICROPHONE  
Same as supplied.

**DIMENSIONS**



**REAR PANEL VIEW**



**SPECIFICATIONS**

GENERAL		
Frequency range	Tx Rx CH70	156.025–157.425 MHz 156.050–163.275 MHz 156.525 MHz
Usable channels	USA, CAN, INT, WX channels	
Type of emission	16K0G3E (FM), 16K0G2B (DSC)	
Power supply requirement	13.8 V DC nominal (11.7–15.9 V DC)	
Current drain (at 13.8 V DC)		
	Tx 25 W output Rx AF max.	5 A 1.2 A
Operating temperature range	–20°C to +60°C; –4°F to +140°F	
Antenna impedance	50 Ω (SO-239)	
Dimensions (W×H×D) (projections not included)	156.5 × 66.5 × 110.1 mm; 6.2 × 2.6 × 4.3 in	
Weight (approx.)	700 g; 1.5 lb (with HM-237B)	
NMEA formats	Input Output	RMC, GGA, GNS, GLL, VTG DSC, DSE, RMC, GSA, GSV

TRANSMITTER		
Output power (at 13.8 V DC)	25 W, 1 W	
Max. frequency deviation	±5 kHz	
Frequency tolerance	±5 ppm	
Spurious emissions	Less than –60 dBc	

RECEIVER		
Sensitivity	Main DSC	–13 dBμ typ. (12 dB SINAD) –5 dBμ emf typ. (1% BER)
Squelch sensitivity	Less than –10 dBμ	
Adjacent channel selectivity	Main	More than 68 dB
Intermodulation	Main DSC	More than 68 dB emf (1% BER) More than 63 dB More than 55 dBμ emf (1% BER)
Hum and noise	More than 40 dB	
Audio output power (at 10% distortion, 4 Ω load)	4.5 W typical	

Measurements made in accordance with TIA/EIA-603. All stated specifications are subject to change without notice or obligation.

**Applicable IP Rating**

Ingress Protection Standard	
Water	IPX7 (Waterproof protection)



**Designed, engineered and Made in Japan.**

Icom has its own manufacturing facilities in Japan. All Icom products are tested to pass rigorous in-house tests as well as environmental tests at the Wakayama Icom plant before shipping.



The "3D GENUINE Icom label" is attached to the rear panel. Check the Icom website for details: <http://www.icom.co.jp/world/genuine-info/>

Icom, Icom Inc. and Icom logo are registered trademarks of Icom Incorporated (Japan) in Japan, the United States, the United Kingdom, Germany, France, Spain, Russia, Australia, New Zealand and/or other countries. AQUAQUAKE is a trademark of Icom Incorporated. All other trademarks are the properties of their respective holders.

**Icom Inc.** 1-1-32, Kamiminami, Hirano-Ku, Osaka 547-0003, Japan Phone: +81 (06) 6793 5302 Fax: +81 (06) 6793 0013

[www.icom.co.jp/world](http://www.icom.co.jp/world) **Count on us!**

**Icom America Inc.**  
[www.icomamerica.com](http://www.icomamerica.com)

**Icom (Europe) GmbH**  
[www.icomeurope.com](http://www.icomeurope.com)

**Icom (Australia) Pty. Ltd.**  
[www.icom.net.au](http://www.icom.net.au)

**Icom Canada**  
[www.icomcanada.com](http://www.icomcanada.com)

**Icom Spain S.L.**  
[www.icomspain.com](http://www.icomspain.com)

**Icom Brazil**  
E-mail: [sales@icombrasil.com](mailto:sales@icombrasil.com)

**Icom (UK) Ltd.**  
[www.icomuk.co.uk](http://www.icomuk.co.uk)

**Icom France s.a.s.**  
[www.icom-france.com](http://www.icom-france.com)

Your local distributor/dealer:

บริษัท ยี.ซีมอนเรดิโอ จำกัด  
 14/48-49 อาคารโครงการคาสเคด บางนา  
 หมู่ที่ 15 ตำบลบางแก้ว อำเภอบางพลี  
 จังหวัดสมุทรปราการ 10540  
 โทร. 02 090 2920-22 , 0816439181  
 แฟกซ์. 02 090 2922  
 Email : [info@gslimon.com](mailto:info@gslimon.com)